

Description:

The HQ-004 & HQ-006 electric actuators are specially designed for quarter turn applications such as small ball, butterfly, plug valves and dampers.

Small, light and compact design with high output torques. Various control options and a wide range of voltages are available to meet your specific requirements.

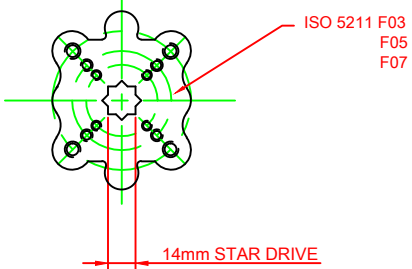
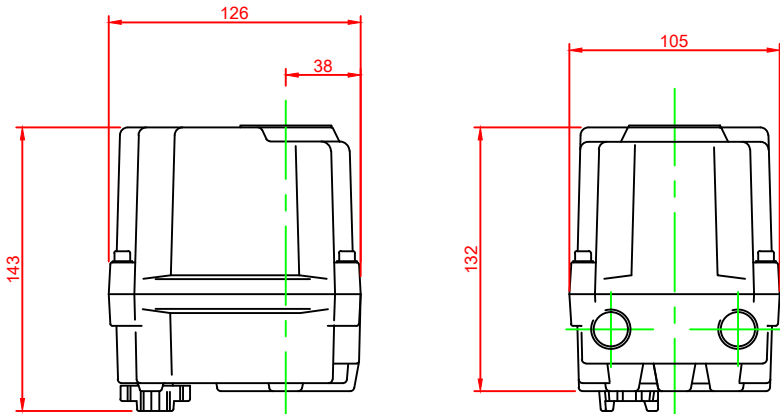
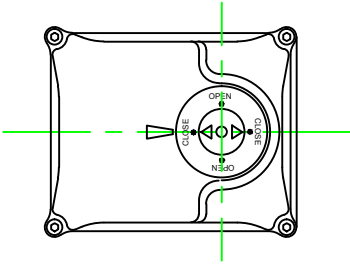
High quality electrical components and alloy gearing ensure reliability and extended life span.

Standard Specification:

- Enclosure : Weatherproof IP67
- Power Supply : 110/220v 50/60Hz, 24vAC/DC
- Duty Cycle (On/Off Duty) : S2 35%
- Motor : Reversible Motor
- Limit Switches : 2 x SPDT, 250V AC 3A
- Additional Limit Switches : 2 x SPDT, 250V AC 3A
- Space Heater : 2W (110/220V AC)
- Manual Override : Hexagon
- Conduit Entries : 2 x M20
- Movement Angle : 320° ± 10° (0° to 320°)
- Ambient Temperature : -20°C to 70°C
- External Coating : Dry Powder, Polyester

Option Specification:

- Enclosure : Waterproof IP68
- Conduit Entries : 2 x PG 13.5, 1/2" NPT
- PIU : Potentiometer Unit (1K - 10K)
- PCU : Proportional Control Unit (In/Out:0-10V,4-20mA)
- CPT : Current Position Transmitter (Output 4-20mA DC)
- LCU : Local Control Unit (Remote/Open/Stop/Close s/w)



Performance

TYPE (MODEL)	MAXIMUM OUTPUT TORQUE	OPERATING TIME 50/60Hz 90°	MOTOR CLASS E FRAME SIZE W * F	RATED CURRENT (A)				WEIGHT Kg
				AC 1PH . 50/60Hz			DC	
				24V	110V	220V		
HQ-004	40Nm	14/12 SECS	6 * 70	0.3	0.39/0.4	0.19/0.2	0.2	3
HQ-006	60Nm							