

CONSTRUCTION & DESIGN

Full or reduced bore
Three pieces body
Floating ball AP

(1/2" - 6x4")
(2" - 6x4")

“block & bleed AP-T

Double stem seal
Floating seats
Anti-static device
Pressure balance hole in ball AP
Fire safe
Blow-out proof stem

STANDARDS

Design
Flanges
Face to face
Testings
Fire safe tested
Top flange

ANSI
API 6D
ASME B16.5 RF
ASME B16.10 long pattern
EN 12266/1
BS 6755/2
ISO 5211

AP
Class
600-900-1500



B A C V A L V E S

OPTIONS

Metal to metal tightness
RTJ Flanges
Emergency grease fittings
Extended stems
BW, Fully welded
Trunnion AP-T
Class 2500

ANSI B 16.5

Class 150-300 (2" - 6" x 4")

APPROVALS

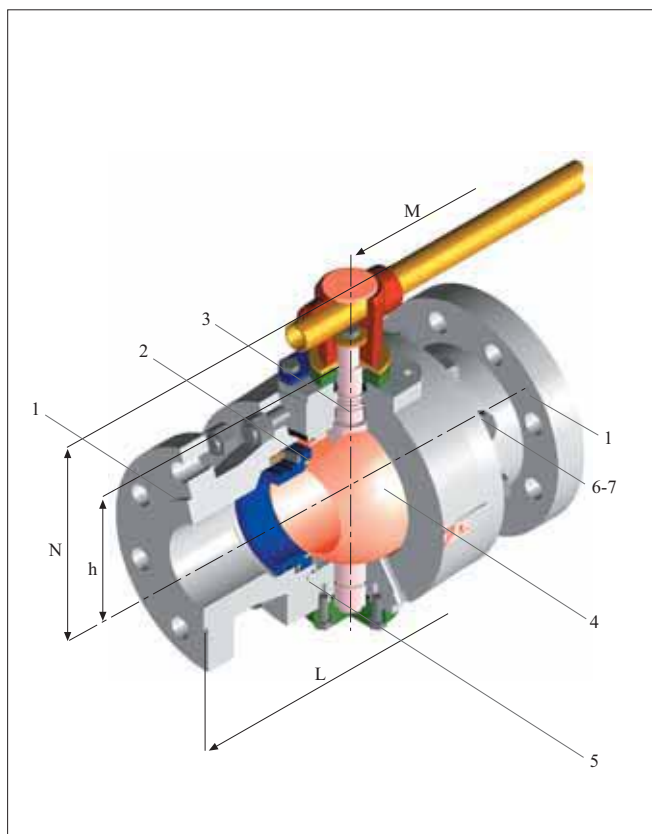
Fire safe

Lloyd s Register

FEATURES

High performance double stuffing box and low emissions
Versatil valve, RF, RTJ or BW in full and reduced bore
Internal wetted parts are acc. NACE Standard MRO175
Effective tight seal even at low differential pressures
Ease operation at high pressures

MATERIALS		SS	CS
1	Bodies	ASTM A-351 CF8M ASTM A-479 316	ASTM A-216 WCC ASTM A-105 N
2	Seats	PA (DEVLON V-API)	
3	Stem	ASTM A-479 316	
4	Ball	ASTM A-351 CF8M	
5	Gaskets	GRAPHITE / FKM	
6	Bolts Studbolts	SS 316 / A4-70	ASTM A-193 B7
7	Nuts	SS 316 / A4-70	ASTM A-194 2H



NPS	D	CLASS			M	N	h	ISO 5211	Cv	CLASS						CLASS		
		600	900	1500						600	900	1500	600	900	1500			
		L								AP			AP-T			WEIGHT		
										TORQUE ^(*)						Kg		
										Nm								
1/2" x 1/2"	14	165	216	200	52,5	41	F05	16	15	19	26	-	-	-	5	13	17	
3/4" x 1/2"	14	190,5	229	200	52,5	41	F05	16	15	19	26	-	-	-	6,5	15	18	
3/4" x 3/4"	19	190,5	229	200	55,5	41	F05	32	28	33	43	-	-	-	7,5	20	21	
1" x 3/4"	19	216	254	200	55,5	41	F05	32	28	33	43	-	-	-	8	22	24	
1" x 1"	24	216	254	240	71	54	F05	55	50	57	71	-	-	-	11,5	25	28	
1 1/2" x 1"	24	241	305	240	71	54	F05	55	50	57	71	-	-	-	15,5	30	34	
1 1/2" x 1 1/2"	38	241	305	550	155,5	75	F07	160	74	89	118	-	-	-	22	34	41,5	
2" x 1 1/2 ⁽¹⁾	38	292	368	550	155,5	75	F07	160	74	89	118	74	76	88	24,5	42	44,3	
2" x 2 ⁽¹⁾	51	292	368	550	163	84	F07	300	151	170	208	116	132	213	29	45,5	46	
3" x 2 ⁽¹⁾	51	356	381	470	550	163	84	F07	300	151	170	208	116	132	213	39	53	73
3" x 3 ⁽¹⁾	76	356	381	470	550	189,5	110	F10	782	329	415	415	208	250	333	57,5	69	89
4" x 3 ⁽¹⁾	76	432	457	546	550	189,5	110	F10	782	329	415	415	208	250	333	77	95	145
4" x 4 ⁽¹⁾	102	432	457	546	700	253	142,5	F12	1465	556	878	878	311	370	486	124,5	144	182
6" x 4 ⁽¹⁾	102	559	610	705	700	253	142,5	F12	1465	556	878	878	311	370	486	179	220	319

(*) Normally expected torque, in clean conditions. For actuator sizing allow adequate safety factor.

(1) Class 600 - 1500 type AP-T (trunnion), on request Class 600 Tipo AP-T (trunnion).