

MATERIALS LIST

NO.	PART NAME	MATERIAL		Q'TY
1	BODY	ASTM A351 Gr.CF8M	ASTM A216 Gr.WCB	1
4	BALL	ASTM A351 Gr.CF8M	ASTM A351 Gr.CF8	1
5	STEM	SS316	SS304	1
9	END CAP	ASTM A351 Gr.CF8M	ASTM A216 Gr.WCB	1
11	BODY SEAL	GRAPHITE		1
12	SEAT	RTFE.		2
13	THRUST WASHER	GRAPHITE		1
13-1	THRUST WASHER	RTFE.		1
14	STEM PACKING	GRAPHITE		1SET
14-1	STEM PACKING	RTFE.		1
15	GLAND BUSH	SS304		1
19	HANDLE	SS304		1
21	HANDLE COVER	PLASTIC		1
22	STEM NUT	SS304		1
24	HANDLE NUT	SS304		1
28	LOCKING PAD	SS304		1
29	BELLEVILLE WASHER	SS301		2
30	TAB WASHER	SS304		1
33	STOP PIN	SS304		1
35	BODY BOLT	ASTM A193 Gr.B8	ASTM A193 Gr.B7	4
37	BOLT NUT	ASTM A193 Gr.8	ASTM A193 Gr.2HM	4

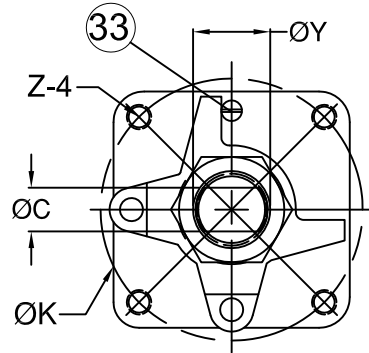
FLANGE DIMENSION: ASME B16.5
FACE TO FACE: ASME B16.10

DIMENSIONS

unit:mm

SIZE	PORT	L	E	H	H2	H4	C	ØY	ØG	ØJ	ØI	T	F	M	ØN	ØK	Z	weight	
DN15	1/2"	15.0	108.0	132.0	80.0	8.5	38.5	6.4	9.6	89.0	60.5	35.0	11.2	1.6	4	16.0	42.0	M5*0.8P	2.2KG
DN20	3/4"	20.0	117.0	132.0	84.5	8.5	42.5	6.4	9.6	98.6	70.0	43.0	12.7	1.6	4	16.0	42.0	M5*0.8P	2.85KG
DN25	1"	25.0	127.0	166.0	102.0	12.0	52.0	8.0	11.2	108.0	79.2	51.0	14.3	1.6	4	16.0	50.0	M6*1.0P	3.85KG
DN32	1 1/4"	32.0	140.0	166.0	105.0	12.0	56.0	8.0	11.2	117.5	88.9	63.5	15.9	1.6	4	16.0	50.0	M6*1.0P	5.28KG
DN40	1 1/2"	38.0	165.0	198.0	125.0	12.0	65.3	9.5	16.0	127.0	98.6	73.2	17.5	1.6	4	16.0	70.0	M8*1.25P	7.09KG
DN50	2"	50.0	178.0	198.0	132.0	12.0	73.8	9.5	16.0	152.5	120.7	92.0	19.1	1.6	4	19.0	70.0	M8*1.25P	9.4KG

																			A	
										1/2"~2"	MATERIAL	APPROVE	CHECK						DRAWN BY	Lawrence
										Class150	SCALE	FREE	UNIT	mm					DATE	2010/04/02
										FIRE-SAFE	PART NO	AF-50F							Q'TY	
											OTHER	DWG NO	AF-50F						TITLE	2-PC Firesafe Flanged Ball Valve
REV	DATE		DESCRIPTION		CODE	REVISOR	REMARKS													



MATERIALS LIST

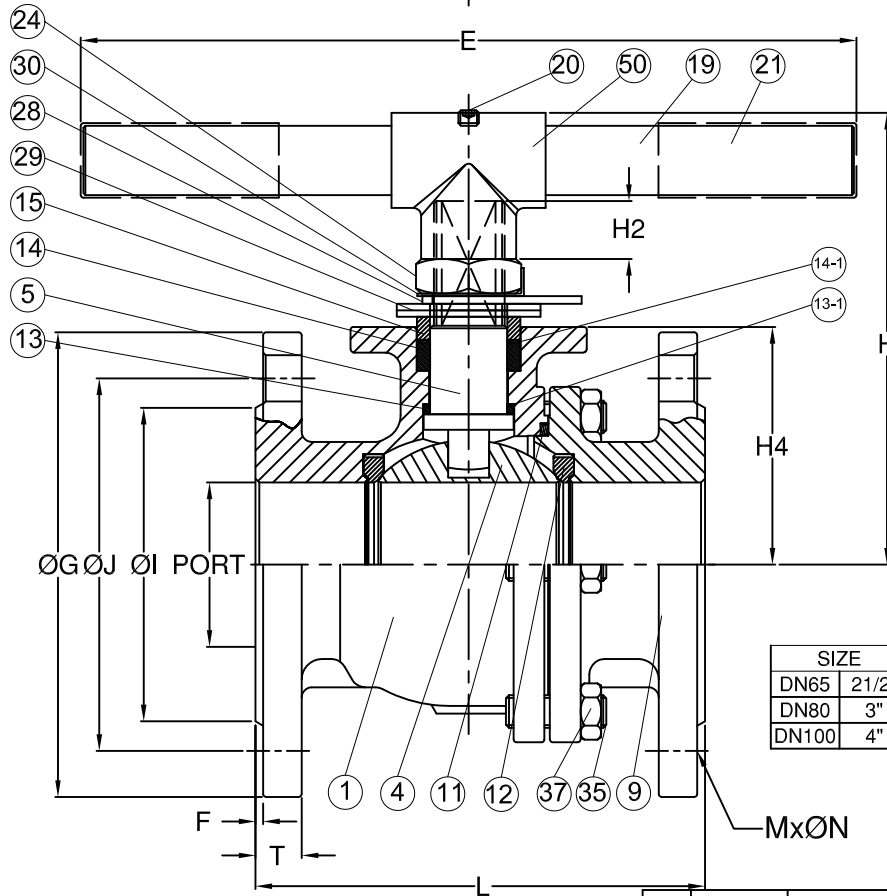
NO.	PART NAME	MATERIAL		Q'TY
1	BODY	ASTM A351 Gr.CF8M	ASTM A216 Gr.WCB	1
4	BALL	ASTM A351 Gr.CF8M	ASTM A351 Gr.CF8	1
5	STEM	SS316	SS304	1
9	END CAP	ASTM A351 Gr.CF8M	ASTM A216 Gr.WCB	1
11	BODY SEAL	GRAPHITE		1
12	SEAT	RTFE.		2
13	THRUST WASHER	GRAPHITE		1
13-1	THRUST WASHER	RTFE.		
14	STEM PACKING	GRAPHITE		1SET
14-1	STEM PACKING	RTFE.		
15	GLAND BUSH	SS304		1
19	HANDLE	LRON		2
20	SET BOLT	SS304		1~2
21	HANDLE COVER	PLASTIC		1
24	HANDLE NUT	SS304		1
28	STOP PLATE	SS304		2
29	BELLEVILLE WASHER	SS301		1
30	TAB WASHER	SS304		1
33	STOP PIN	SS304		6~8
35	BODY BOLT	ASTM A193 Gr.B8	ASTM A193 Gr.B7	6~8
37	BOLT NUT	ASTM A193 Gr.8	ASTM A193 Gr.2HM	1
50	HANDLE ADAPTER	ASTM A351 Gr.CF8		

FLANGE DIMENSION: ASME B16.5
FACE TO FACE: ASME B16.10

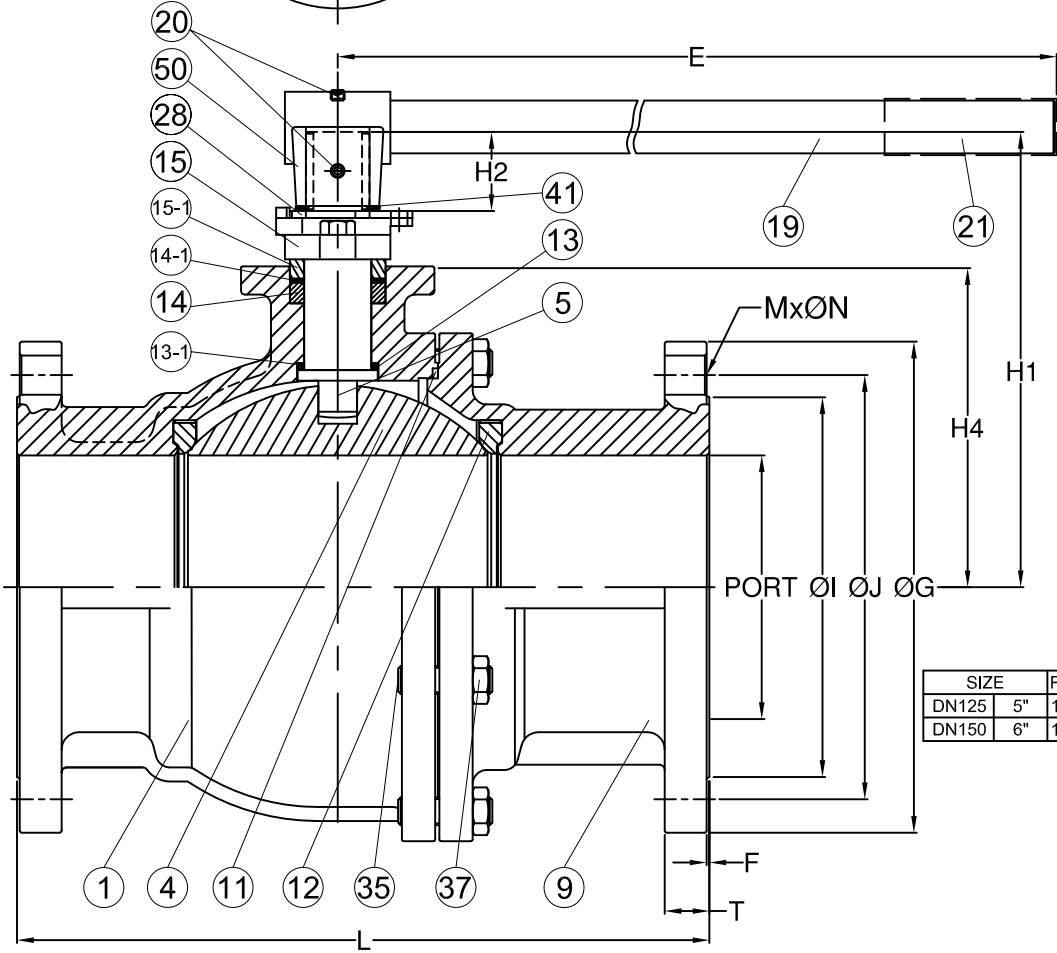
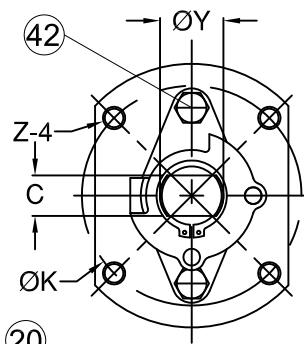
DIMENSIONS

unit:mm

SIZE	PORT	L	E	H	H2	H4	C	ØY	ØG	ØJ	ØI	T	F	M	ØN	ØK	Z	weight	
DN65	2 1/2"	64.0	190.0	300.0	178.0	23.0	92.5	17.0	28.0	177.8	139.7	104.7	23.3	1.6	4	19.0	102.0	M10*1.5P	13.81KG
DN80	3"	76.0	203.0	300.0	188.0	23.0	101.7	17.0	28.0	190.5	152.4	127.0	23.9	1.6	4	19.0	102.0	M10*1.5P	17.36KG
DN100	4"	100.0	229.0	450.0	202.0	23.0	119.0	17.0	28.0	228.6	191.0	157.2	23.9	1.6	8	22.3	102.0	M10*1.5P	23.52KG



REV	DATE	DESCRIPTION	CODE	REVISER	REMARKS	MATERIAL	APPROVE	CHECK	SCALE	UNIT	mm	DATE	2010/04/02	Q'TY	TITLE	2-PC Firesafe Flanged Ball Valve	A	Lawrence
						2-1/2"~4"			FREE	UNIT	mm							
						Class150			PART NO	AF-50F	Ø							
						FIRE-SAFE			DWG NO	AF-50F								
						API 607			OTHER									



MATERIALS LIST

NO.	PART NAME	MATERIAL		Q'TY
1	BODY	ASTM A351 Gr.CF8M	ASTM A216 Gr.WCB	1
4	BALL	ASTM A351 Gr.CF8M	ASTM A351 Gr.CF8	1
5	STEM	SS316	SS304	1
9	END CAP	ASTM A351 Gr.CF8M	ASTM A216 Gr.WCB	1
11	BODY SEAL	GRAPHITE		1
12	SEAT	RTFE.		2
13	THRUST WASHER	GRAPHITE		1
13-1	THRUST WASHER	RTFE.		1
14	STEM PACKING	GRAPHITE		1SET
14-1	STEM PACKING	RTFE.		1
15	GLAND	ASTM A351 Gr.CF8	ASTM A216 Gr.WCB	1
15-1	GLAND BUSH	SS304		1
19	HANDLE	LRON		1
20	SET BOLT	SS304		2
21	HANDLE COVER	PLASTIC		1
28	STOP PLATE	SS304		1
35	BODY BOLT	ASTM A193 Gr.B8	ASTM A193 Gr.B7	8
37	BOLT NUT	ASTM A194 Gr.8	ASTM A193 Gr.2HM	8
41	SNAP RING	SS304		1
42	GLAND BOLT	SS304		2
50	HANDLE ADAPTER	ASTM A351 Gr.CF8		1

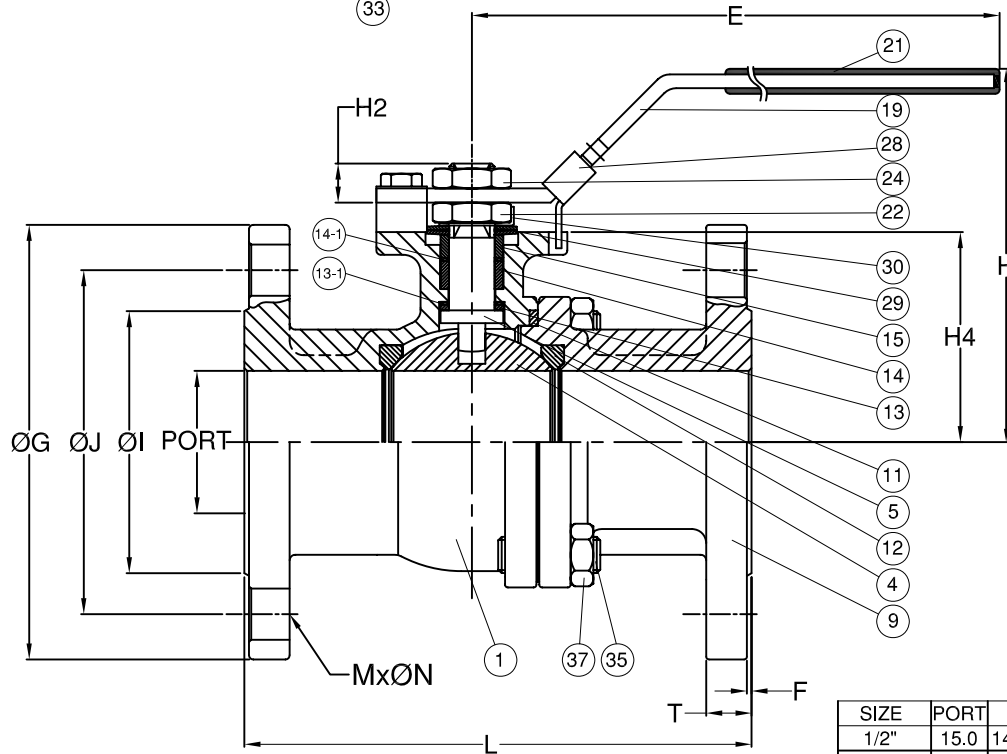
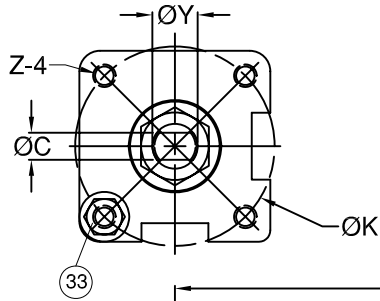
FLANGE DIMENSION: ASME B16.5
FACE TO FACE: ASME B16.10

DIMENSIONS

unit:mm

SIZE	PORT	L	E	H1	H2	H4	C	ØY	ØG	ØJ	ØI	T	F	M	ØN	ØK	Z	weight	
DN125	5"	125.0	325.0	600.0	233.0	45.0	163.0	23.0	36.0	254.0	216.0	186.0	24.0	1.6	8	Ø22.3	125	M12*1.75P	47KG
DN150	6"	150.0	394.0	800.0	259.0	45.0	182.5	23.0	36.0	279.4	241.3	216.0	25.4	1.6	8	Ø22.3	125	M12*1.75P	67KG

						5"~6"	MATERIAL	APPROVE		CHECK		DRAWN BY	Lawrence
						Class150		SCALE	FREE	UNIT	mm	DATE	2010/04/02
						FIRE-SAFE	OTHER	PART NO	AF-50F		⊕	Q'TY	
						API 607		DWG NO	AF-50F		TITLE	2-PC Firesafe Flanged Ball Valve	
REV	DATE	DESCRIPTION			CODE	REVISER	REMARKS	AF Anson Flow Corp.					



MATERIALS LIST

NO.	PART NAME	MATERIAL		Q'TY
1	BODY	ASTM A351 Gr.CF8M	ASTM A216 Gr.WCB	1
4	BALL	ASTM A351 Gr.CF8M	ASTM A351 Gr.CF8	1
5	STEM	SS316	SS304	1
9	END CAP	ASTM A351 Gr.CF8M	ASTM A216 Gr.WCB	1
11	BODY SEAL	GRAPHITE		1
12	SEAT	RTFE.		2
13	THRUST WASHER	GRAPHITE		1
13-1	THRUST WASHER	RTFE.		1
14	STEM PACKING	GRAPHITE		1SET
14-1	STEM PACKING	RTFE.		1
15	GLAND BUSH	SS304		1
19	HANDLE	SS304		1
21	HANDLE COVER	PLASTIC		1
22	STEM NUT	SS304		1
24	HANDLE NUT	SS304		1
28	LOCKING PAD	SS304		1
29	BELLEVILLE WASHER	SS301		2
30	TAB WASHER	SS304		1
33	STOP PIN	SS304		1
35	BODY BOLT	ASTM A193 Gr.B8	ASTM A193 Gr.B7	4
37	BOLT NUT	ASTM A193 Gr.8	ASTM A193 Gr.2HM	4

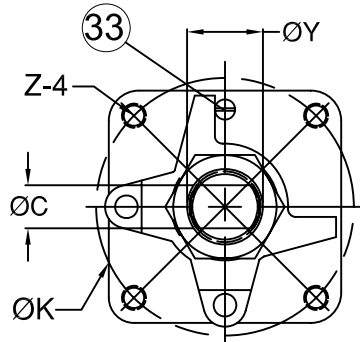
FLANGE DIMENSION: ASME B16.5
FACE TO FACE: ASME B16.10

DIMENSIONS

unit:mm

SIZE	PORT	L	E	H	H2	H4	C	ØY	ØG	ØJ	ØI	T	F	M	ØN	ØK	Z	weight
1/2"	15.0	140.0	132.0	80.0	8.5	38.5	6.4	9.6	95.3	66.5	35.0	14.3	1.6	4	16.0	42.0	M5*0.8P	2.01KG
3/4"	20.0	152.0	132.0	84.5	8.5	42.5	6.4	9.6	117.4	82.6	43.0	15.9	1.6	4	19.1	42.0	M5*0.8P	3.06KG
1"	25.0	165.0	166.0	102.0	12.0	52.0	8.0	11.2	124.0	88.9	51.0	17.5	1.6	4	19.1	50.0	M6*1.0P	4.2KG
1 1/4"	32.0	178.0	166.0	105.0	12.0	56.0	8.0	11.2	133.4	98.6	63.5	19.1	1.6	4	19.1	50.0	M6*1.0P	5.16KG
1 1/2"	38.0	190.0	198.0	125.0	12.0	65.3	9.5	16.0	155.5	114.3	73.2	20.7	1.6	4	22.3	70.0	M8*1.25P	8.04KG
2"	50.0	216.0	198.0	132.0	12.0	73.8	9.5	16.0	165.1	127.0	92.0	22.3	1.6	8	19.1	70.0	M8*1.25P	10.16KG

						1/2"~2"	MATERIAL	APPROVE	CHECK	SCALE	UNIT	mm	DATE	2010/04/02	DRAWN BY	Lawrence	
						Class300							Q'TY				
						FIRE-SAFE	OTHER	DWG NO	AF-50F	TITLE		2-PC Firesafe Flanged Ball Valve					
										AF-50F							
										AF-50F							
REV	DATE	DESCRIPTION				CODE	REVISER	REMARKS									



MATERIALS LIST

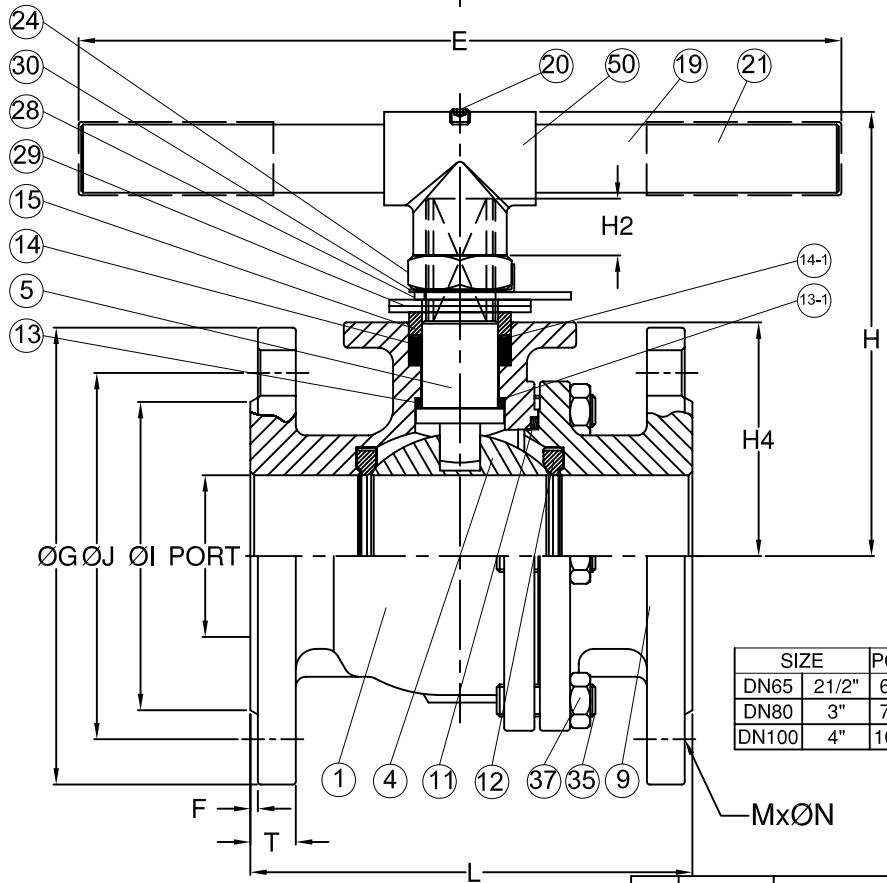
NO.	PART NAME	MATERIAL		Q'TY
1	BODY	ASTM A351 Gr.CF8M	ASTM A216 Gr.WCB	1
4	BALL	ASTM A351 Gr.CF8M	ASTM A351 Gr.CF8	1
5	STEM	SS316	SS304	1
9	END CAP	ASTM A351 Gr.CF8M	ASTM A216 Gr.WCB	1
11	BODY SEAL	GRAPHITE		1
12	SEAT	RTFE.		2
13	THRUST WASHER	GRAPHITE		1
13-1	THRUST WASHER	RTFE.		
14	STEM PACKING	GRAPHITE		1SET
14-1	STEM PACKING	RTFE.		
15	GLAND BUSH	SS304		1
19	HANDLE	LRON		2
20	SET BOLT	SS304		1~2
21	HANDLE COVER	PLASTIC		1
24	HANDLE NUT	SS304		1
28	STOP PLATE	SS304		2
29	BELLEVILLE WASHER	SS301		1
30	TAB WASHER	SS304		1
33	STOP PIN	SS304		6~8
35	BODY BOLT	ASTM A193 Gr.B8	ASTM A193 Gr.B7	6~8
37	BOLT NUT	ASTM A193 Gr.8	ASTM A193 Gr.2HM	1
50	HANDLE ADAPTER	ASTM A351 Gr.CF8		

FLANGE DIMENSION: ASME B16.5
FACE TO FACE: ASME B16.10

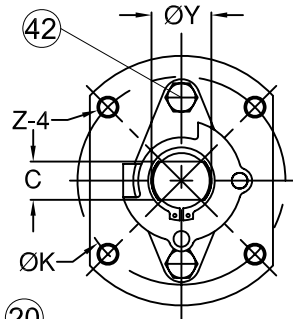
DIMENSIONS

unit:mm

SIZE	PORT	L	E	H	H2	H4	C	ØY	ØG	ØJ	ØI	T	F	M	ØN	ØK	Z	weight	
DN65	2 1/2"	64.0	241.0	300.0	178.0	23.0	92.5	17.0	28.0	190.5	149.4	104.7	25.4	1.6	8	22.3	102.0	M10*1.5P	16.8KG
DN80	3"	76.0	283.0	300.0	188.0	23.0	101.7	17.0	28.0	209.6	168.1	127.0	28.6	1.6	8	22.3	102.0	M10*1.5P	22.8KG
DN100	4"	100.0	305.0	450.0	202.0	23.0	119.0	17.0	28.0	254.0	200.2	157.2	31.8	1.6	8	22.3	102.0	M10*1.5P	36.29KG



REV	DATE	DESCRIPTION	CODE	REVISER	REMARKS	2-1/2"~4"	MATERIAL	APPROVE	CHECK	DRAWN BY	A
						Class300		SCALE	FREE	UNIT	Lawrence
						FIRE-SAFE		PART NO	AF-50F	mm	DATE
							OTHER	DWG NO	AF-50F	Q'TY	2010/04/02
										Ø ⊞	TITLE
											2-PC Firesafe Flanged Ball Valve
							AF^{low}_{Inson} Anson Flow Corp.				



MATERIALS LIST

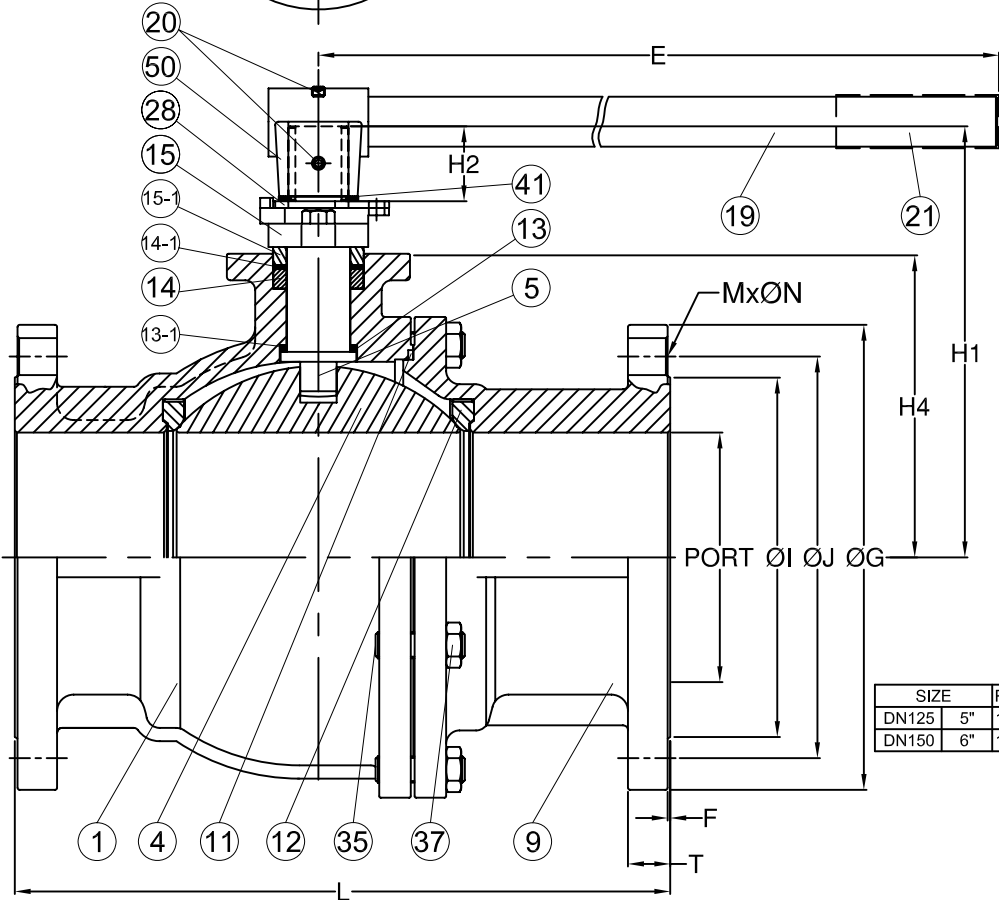
NO.	PART NAME	MATERIAL		Q'TY
1	BODY	ASTM A351 Gr.CF8M	ASTM A216 Gr.WCB	1
4	BALL	ASTM A351 Gr.CF8M	ASTM A351 Gr.CF8	1
5	STEM	SS316	SS304	1
9	END CAP	ASTM A351 Gr.CF8M	ASTM A216 Gr.WCB	1
11	BODY SEAL	GRAPHITE		1
12	SEAT	RTFE.		2
13	THRUST WASHER	GRAPHITE		1
13-1	THRUST WASHER	RTFE.		1
14	STEM PACKING	GRAPHITE		1SET
14-1	STEM PACKING	RTFE.		1
15	GLAND	ASTM A351 Gr.CF8	ASTM A216 Gr.WCB	1
15-1	GLAND BUSH	SS304		1
19	HANDLE	LRON		1
20	SET BOLT	SS304		2
21	HANDLE COVER	PLASTIC		1
28	STOP PLATE	SS304		1
35	BODY BOLT	ASTM A193 Gr.B8	ASTM A193 Gr.B7	8
37	BOLT NUT	ASTM A194 Gr.8	ASTM A193 Gr.2HM	8
41	SNAP RING	SS304		1
42	GLAND BOLT	SS304		2
50	HANDLE ADAPTER	ASTM A351 Gr.CF8		1

FLANGE DIMENSION: ASME B16.5
FACE TO FACE: ASME B16.10

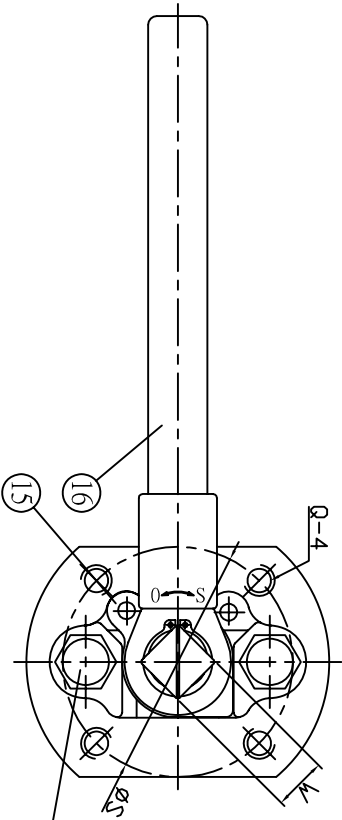
DIMENSIONS

unit:mm

SIZE	PORT	L	E	H1	H2	H4	C	ØY	ØG	ØJ	ØI	T	F	M	ØN	ØK	Z	weight	
DN125	5"	125.0	381.0	600.0	233.0	45.0	163.0	23.0	36.0	279.4	235.0	186.0	35.0	1.6	8	Ø22.3	125	M12*1.75P	60.13KG
DN150	6"	150.0	403.0	800.0	259.0	45.0	182.5	23.0	36.0	317.5	269.8	216.0	36.6	1.6	12	Ø22.3	125	M12*1.75P	



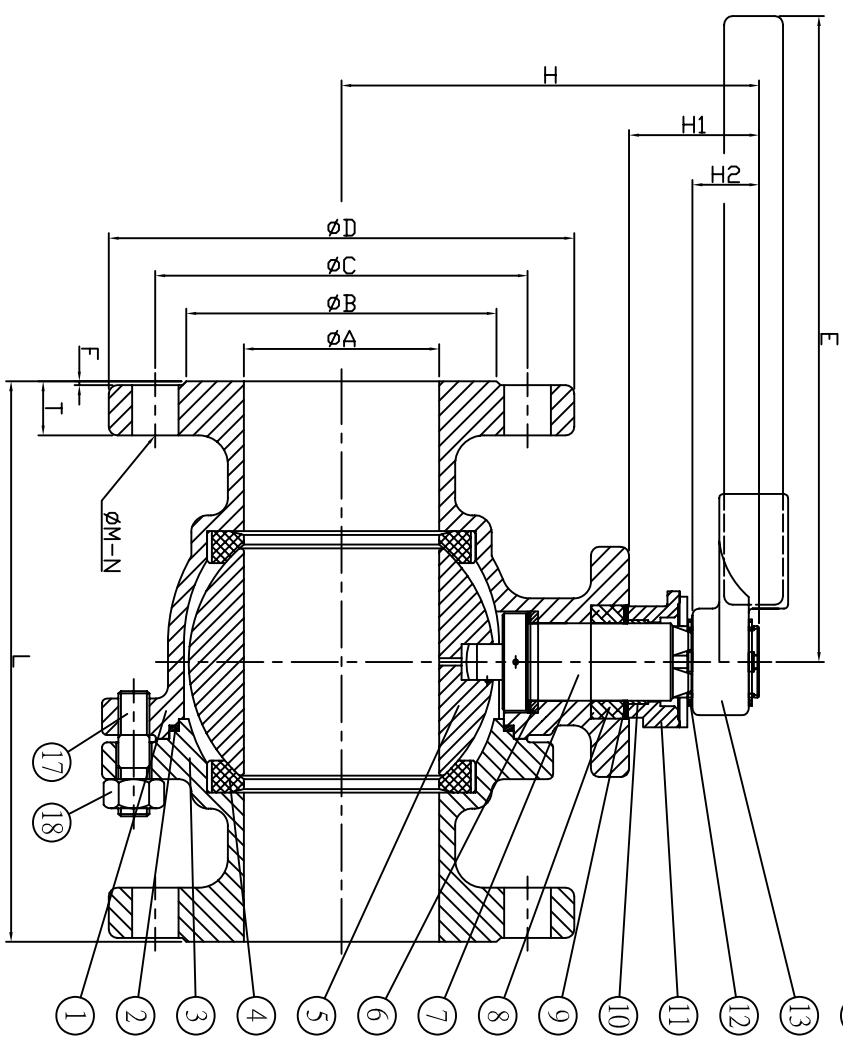
REV	DATE	DESCRIPTION	CODE	REVISER	REMARKS	MATERIAL	APPROVE	CHECK	DRAWN BY	A	
					5"~6"				Lawrence		
					Class300	SCALE	FREE	UNIT	mm	DATE	2010/04/02
					FIRE-SAFE	PART NO	AF-50F		Q'TY		
						OTHER	DWG NO	AF-50F	TITLE	2-PC Firesafe Flanged Ball Valve	
						AF^{low} Anson Anson Flow Corp.					



Valve Size	A	B	C	D	E	F	H	H1	H2	L	W	S	T	Q	ØM-N
8"	7.874	10.620	13.000	5.000	32.126	0.060	12.815	2.913	1.713	19.764	1.417	5.512	1.620	5/8"-11	Ø 1.000-1.2
10"	9.843	12.750	15.250	7.500	40.000	0.060	15.394	4.567	2.736	22.362	1.811	6.496	1.880	3/4"-10	Ø 1.120-1.6

DIMENSIONS

Unit : Inch



MATERIALS

NO.	PART NAME	MATERIAL
1	BODY	ASTM A351 Gr. CF8M
2	BODY SEAL	SS 316+GRAPHITE
3	END CAP	ASTM A351 Gr. CF8M
4	SEAT	RTPE.(+15% G/F)
5	BALL	ASTM A351 Gr. CF8M
6	THRUST WASHER	PTFE.+GRAPHITE
7	STEM	SS 316
8	STEM PACKING	GRAPHITE
9	GLAND WASHER	PTFE.
10	GLAND BEARING	PTFE.
11	GLAND	SS 304
12	SNAP RING	SS 304
13	HANDLE ADAPTER	SS 304
14	BOLT	SS 304
15	STOP PLATE	SS 304
16	HANDLE	CARBON STEEL
17	STUD	ASTM A193 Gr. B8
18	NUT	ASTM A194 Gr. 8

REV	DATE	DESCRIPTION	CODE	REVISER	REMARKS	MATERIAL	APPROVE	CHECK	DRAWN BY	REV
						8"~10"			Peggy	F
						ANSI 300			20050922	
						FIRESAFE				
						API 607				
						OTHER				
						DWG NO				
						AF-50F				
						TITLE				
						2-PC FLANGED END BALL VALVE				

Anson Flow Corp.