

AF-51F ANSI 150# Flanged Ball Valve Firesafe to API 607

Full Port, 1/2" - 4"

ISO 5211 Direct Mount

STANDARDS APPLICABLE

ASME B16.34-STEEL VALVES FLANGED, THREADED, AND WELDING END

ASME B16.10-FACE TO FACE & END TO END DIMENSIONS OF VALVES

API 598-VALVE INSPECTION AND TESTING

MSS SP72-BALL VALVES WITH FLANGED OR BUTT WELDING

ENDS FOR GENERAL SERVICES

MSS SP25-STANDARD MARKING SYSTEM FOR VALVES FITTINGS,
FLANGES AND UNIONS

MATERIALS LIST

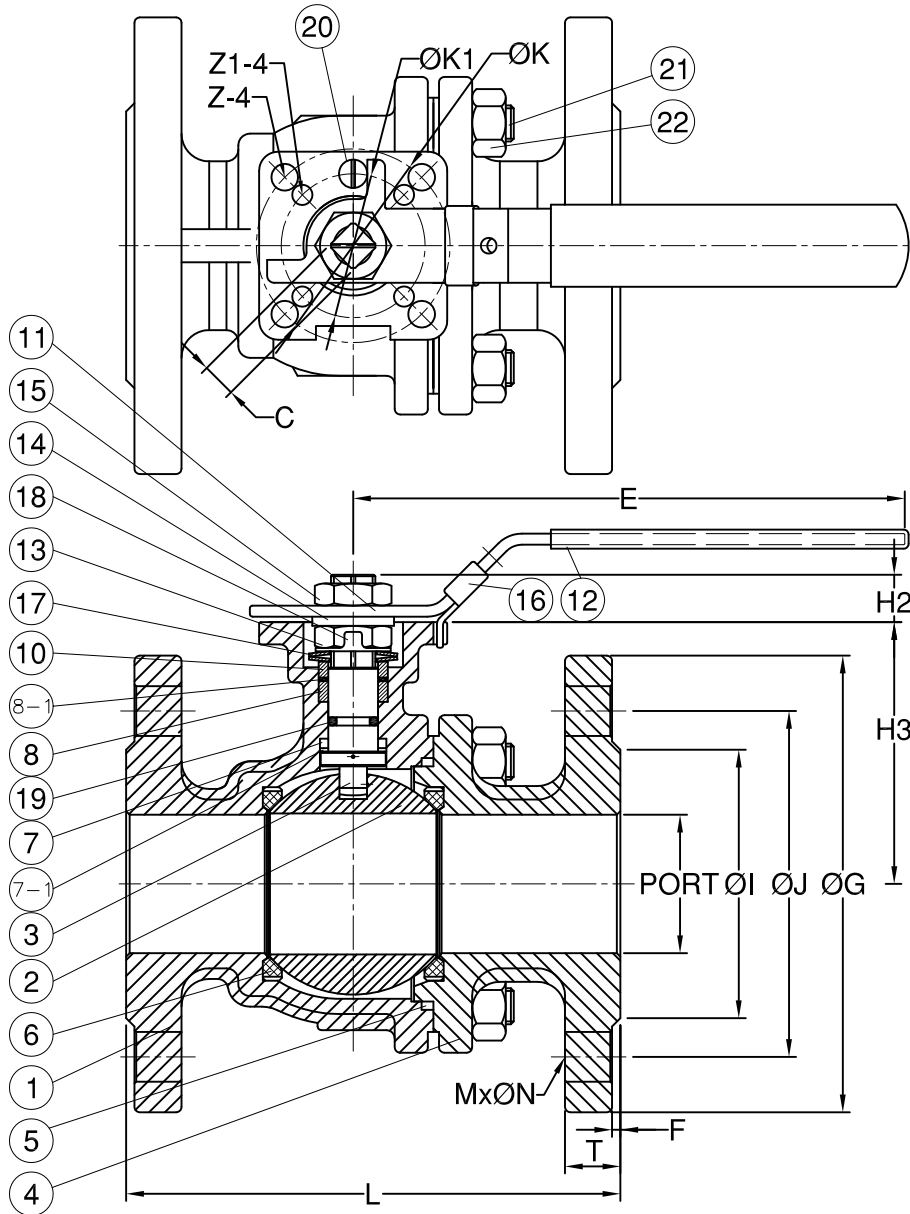
NO.	PART NAME	MATERIAL	
1	BODY	ASTM A351 CF8M	ASTM A216 WCB
2	BALL	ASTM A351 CF8M	ASTM A351 CF8M
3	STEM	SS316	SS316
4	END CAP	ASTM A351 CF8M	ASTM A216 WCB
5	BODY SEAL	GRAPHITE+50%SS	GRAPHITE+50%SS
6	SEAT	RTFE.	RTFE.
7	THRUST WASHER	GRAPHITE	GRAPHITE
7-1	THRUST WASHER	PTFE.+25%G.F.	PTFE.+25%G.F.
8	STEM PACKING	GRAPHITE	GRAPHITE
8-1	STEM PACKING	PTFE.+25%G.F.	PTFE.+25%G.F.
10	GLAND	SS304	SS304
11	HANDLE	SS304	SS304
12	HANDLE COVER	PLASTIC	PLASTIC
13	STEM NUT	SS304	SS304
14	HANDLE WASHER	SS304	SS304
15	HANDLE NUT	SS304	SS304
16	LOCKING PAD	SS304	SS304
17	BELLEVILLE WASHER	SUS301	SUS301
18	STOP WASHER	SS304	SS304
19	STEM O-RING	VITON	VITON
20	STOP	SS304	SS304
21	STUD	ASTM A193 Gr.B8	ASTM A193 Gr.B8
22	NUT	ASTM A194 Gr.8	ASTM A194 Gr.8

*STUD/NUT: 2"~2 1/2":4PCS or 6PCS

DIMENSIONS

unit:mm

SIZE	PORT	L	E	H2	H3	C	ØG	ØJ	ØI	T	F	M	ØN	ØK	ØK1	Z-4	Z1-4			
DN15	1/2"	150.7	108.0	112	8.5	48	9.0	89.0	60.5	35.0	11.2	1.6	4	16.0	50	F05	36	F03	7.0	6.0
DN20	3/4"	200.0	117.0	112	8.5	53.5	9.0	98.6	70.0	43.0	12.7	1.6	4	16.0	50	F05	36	F03	7.0	6.0
DN25	1"	250.0	127.0	136	11.4	64	9.0	108.0	79.2	51.0	14.3	1.6	4	16.0	50	F05	36	F03	7.0	6.0
DN32	1 1/4"	320.0	140.0	185	11.4	71	9.0	117.5	88.9	63.5	15.9	1.6	4	16.0	50	F05	36	F03	7.0	6.0
DN40	1 1/2"	380.0	165.0	198	14.0	76	14.0	127.0	98.6	73.2	17.5	1.6	4	16.0	70	F07	50	F05	9.0	7.0
DN50	2"	500.0	178.0	198	13.7	84.5	14.0	152.5	120.7	92.0	19.1	1.6	4	19.0	70	F07	50	F05	9.0	7.0
DN65	2 1/2"	640.0	190.0	265	18.0	106.8	17.0	177.8	139.7	104.7	23.3	1.6	4	19.0	102	F10	70	F07	12.0	10.0
DN80	3"	760.0	203.0	265	18.0	116.0	17.0	190.5	152.4	127.0	23.9	1.6	4	19.0	102	F10	70	F07	12.0	10.0
DN100	4"	1000.0	229.0	325	18.0	154.5	17.0	228.6	190.5	157.2	23.9	1.6	8	19.0	102	F10	70	F07	12.0	10.0



REV	DATE	DESCRIPTION	CODE	REVISER	REMARKS	MATERIAL	APPROVE	CHECK	SCALE	UNIT	DATE	REV
						1/2"~4"			FREE	mm	2020.09.11	
						ANSI 150						
						FIRE-SAFE						
						API 607						
							OTHER					
							DWG NO		AF-51F	TITLE		

AF-51F ANSI 300# Flanged Ball Valve Firesafe to API 607

Full Port, 1/2" - 4"

ISO 5211 Direct Mount

STANDARDS APPLICABLE

- ASME B16.34--STEEL VALVES FLANGED, THREADED, AND WELDING END
- ASME B16.10--FACE TO FACE & END TO END DIMENSIONS OF VALVES
- API 598--VALVE INSPECTION AND TESTING
- MSS SP72--BALL VALVES WITH FLANGED OR BUTT WELDING ENDS FOR GENERAL SERVICES
- MSS SP25--STANDARD MARKING SYSTEM FOR VALVES FITTINGS, FLANGES AND UNIONS

MATERIALS LIST

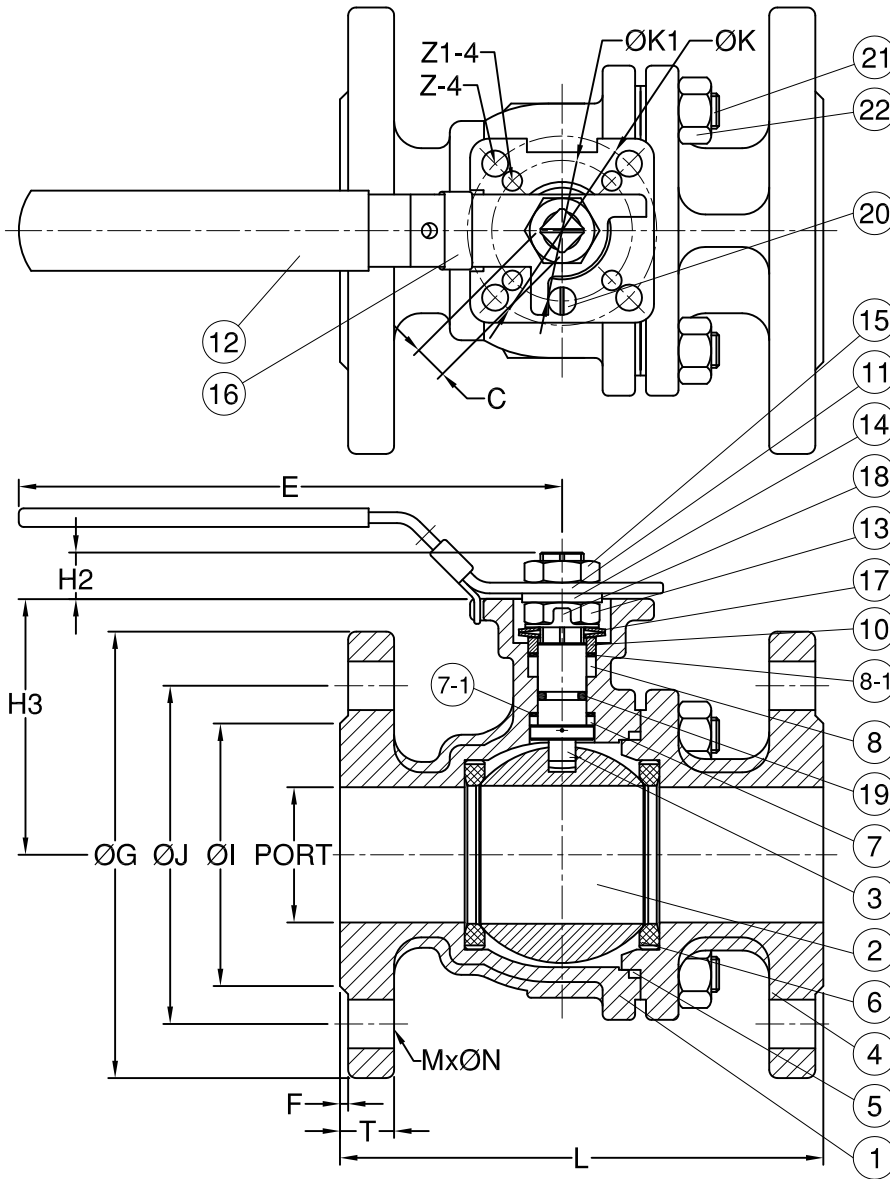
NO.	PART NAME	MATERIAL	
1	BODY	ASTM A351 CF8M	ASTM A216 WCB
2	BALL	ASTM A351 CF8M	ASTM A351 CF8M
3	STEM	SS316	SS316
4	END CAP	ASTM A351 CF8M	ASTM A216 WCB
5	BODY SEAL	GRAPHITE+50%SS	GRAPHITE+50%SS
6	SEAT	RTFE.	RTFE.
7	THRUST WASHER	GRAPHITE	GRAPHITE
7-1	THRUST WASHER	PTFE.	PTFE.
8	STEM PACKING	GRAPHITE	GRAPHITE
8-1	STEM PACKING	PTFE.	PTFE.
10	GLAND	SS304	SS304
11	HANDLE	SS304	SS304
12	HANDLE COVER	PLASTIC	PLASTIC
13	STEM NUT	SS304	SS304
14	HANDLE WASHER	SS304	SS304
15	HANDLE NUT	SS304	SS304
16	LOCKING PAD	SS304	SS304
17	BELLEVILLE WASHER	SS304	SS304
18	STEM WASHER	SS304	SS304
19	STOP O-RING	VITON	VITON
20	STOP	SS304	SS304
21	STUD	ASTM A193 Gr.B8	ASTM A193 Gr.B8
22	NUT	ASTM A194 Gr.8	ASTM A194 Gr.8

*STUD/NUT: 2"~21/2":4PCS or 6PCS

DIMENSIONS

unit:mm

SIZE	PORT	L	E	H2	H3	C	ØG	ØJ	ØI	T	F	M	ØN	ØK	ØK1	Z-4	Z1-4			
DN15	1/2"	15.0	140.0	112	8.5	48	9.0	95.3	66.5	35.0	14.3	1.6	4	16.0	50	F05	36	F03	7.0	6.0
DN20	3/4"	20.0	152.0	112	8.5	62	9.0	117.4	82.6	43.0	15.9	1.6	4	19.1	50	F05	36	F03	7.0	6.0
DN25	1"	25.0	165.0	136	11.4	64	9.0	124.0	88.9	51.0	17.5	1.6	4	19.1	50	F05	36	F03	7.0	6.0
DN32	1-1/4"	32.0	178.0	185	11.4	71	9.0	133.4	98.6	63.5	19.1	1.6	4	19.1	50	F05	36	F03	7.0	6.0
DN40	1-1/2"	38.0	190.0	198	14.0	76	14.0	155.5	114.3	73.2	20.6	1.6	4	22.3	70	F07	50	F05	9.0	7.0
DN50	2"	50.0	216.0	198	13.7	84.5	14.0	165.1	127.0	92.0	22.4	1.6	8	19.1	70	F07	50	F05	9.0	7.0
DN65	2-1/2"	64.0	241.0	265	18.0	106.8	17.0	190.5	149.4	104.7	25.4	1.6	8	22.3	102	F10	70	F07	12.0	10.0
DN80	3"	76.0	283.0	265	18.0	116.0	17.0	209.6	168.1	127.0	28.6	1.6	8	22.3	102	F10	70	F07	12.0	10.0
DN100	4"	100.0	305.0	325	18.0	154.5	17.0	254.0	200.2	157.2	31.8	1.6	8	22.3	102	F10	70	F07	12.0	10.0



REV	DATE	DESCRIPTION	CODE	REVISER	REMARKS	MATERIAL	APPROVE	CHECK	REV	DRAWN BY	DATE	Q'TY	TITLE
						1/2"~4"				Lawrence	2019.09.11		2-PC ANSI300 Flanged Firesafe Ball Valve
						ANSI 300							
						FIRE-SAFE							
						API 607							

AF
Inson

Anson Flow Corp.

AF-51F ANSI 300# Flanged Ball Valve Firesafe to API 607

Full Port, 5" - 6"

ISO 5211 Direct Mount

STANDARDS APPLICABLE

- ASME B16.34—STEEL VALVES FLANGED, THREADED, AND WELDING END
- ASME B16.10—FACE TO FACE & END TO END DIMENSIONS OF VALVES
- API 598—VALVE INSPECTION AND TESTING
- MSS SP72—BALL VALVES WITH FLANGED OR BUTT WELDING ENDS FOR GENERAL SERVICES
- MSS SP25—STANDARD MARKING SYSTEM FOR VALVES, FITTINGS, FLANGES AND UNIONS

MATERIALS LIST

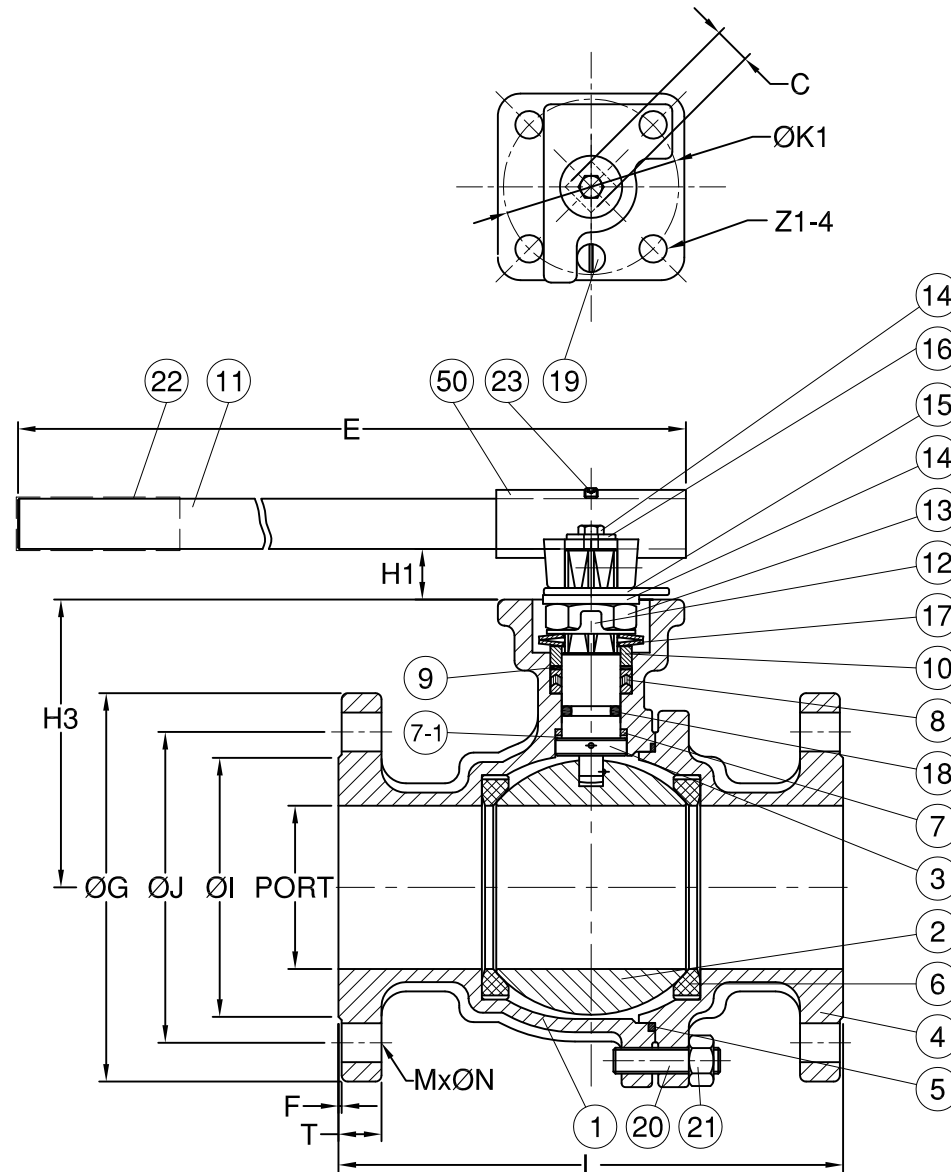
NO.	PART NAME	MATERIAL	
1	BODY	ASTM A351 CF8M	ASTM A216 WCB
2	BALL	ASTM A351 CF8M	ASTM A351 CF8M
3	STEM	SS316	SS316
4	END CAP	ASTM A351 CF8M	ASTM A216 WCB
5	BODY SEAL	GRAPHITE+50%SS.	GRAPHITE+50%SS.
6	SEAT	RTFE.	RTFE.
7	THRUST WASHER	GRAPHITE.	GRAPHITE.
7-1	THRUST WASHER	PTFE+25%G.F.	PTFE+25%G.F.
8	STEM PACKING	GRAPHITE.	GRAPHITE.
9	THRUST WASHER	PTFE.+25%G.F.	PTFE.+25%G.F.
10	GLAND	SS304	SS304
11	HANDLE	IRON	IRON
12	STOP WASHER	SS304	SS304
13	STEM NUT	SS304	SS304
14	HANDLE WASHER	SS304	SS304
15	TRIANGLE STOPPER	SS304	SS304
16	BOLT	SS304	SS304
17	BELLEVILLE WASHER	SUS301	SUS301
18	STEM O-RING	VITON	VITON
19	STOP	SS304	SS304
20	STUD	ASTM A193 Gr.B8	ASTM A193 Gr.B8
21	NUT	ASTM A194 Gr.8	ASTM A194 Gr.8
22	HANDLE COVER	PLASTIC	PLASTIC
23	SET BOLT	SS304	SS304
50	HANDLE ADAPTER	ASTM A351 CF8	ASTM A351 CF8

*STUD/NUT: 6":8PCS or 10PCS

DIMENSIONS

unit:mm

SIZE	PORT	L	E	H1	H3	C	ØG	ØJ	ØI	T	F	M	ØN	ØK1	Z1-4
DN125	5"	125.0	381.0	600.0	30.0	194.0	27.0	279.4	235.0	186.0	35.0	1.6	8	22.3	125 F12 14.0
DN150	6"	150.0	403.0	800.0	30.0	213.0	27.0	317.5	269.8	216.0	36.6	1.6	12	22.3	125 F12 14.0



REV	DATE	DESCRIPTION	CODE	REVISER	REMARKS	MATERIAL	APPROVE	CHECK	REV
						5"~6"			REV
						ANSI 300	SCALE	UNIT	DRAWN BY
						FIRE-SAFE	FREE	mm	Lawrence
						API 607	PART NO	Q'TY	DATE
							AF-51F		2020.07.01
						OTHER	DWG NO	TITLE	
							AF-51F	2-PC ANSI300 Flanged Firesafe Ball Valve	